





**The safety features of this product are essential to its compliance with EN 179. No modification of any kind, other than those described in these instructions, are permitted.**

### Installation and fixing instructions

Before fitting an exit device to a door, the door should be checked to ensure correct hanging and freedom from binding.

Before fitting an emergency exit device to a fire/smoke resisting door, the fire certification of the fire door assembly on which the exit device has been tested to prove suitability for use on a fire door should be examined. It is of utmost importance that an exit device is not used on a fire door assembly of a greater fire resistance time than approved for.

Care should be taken to ensure that any seals or weather-stripping fitted to the complete door assembly, does not inhibit the correct operations of the emergency exit device.

On double doorsets with rebated meeting stiles and where both leaves are fitted with emergency exit devices, it is essential to check that either leaf will open when its emergency exit device is activated and also that both leaves will open freely when both emergency exit devices are operated simultaneously.

The use of a carry bar to move the active leaf may be required for this application.

Emergency exit devices are not intended for use on double action (double swing) doors.

The fixing instructions should be carefully followed during installation. These instructions and any maintenance instructions should be passed on by the installer to the user.

The operating element should normally be installed at a height of between 900 mm and 1 100 mm from the finished floor level, when the door is in the secured position. Where it is known that the majority of the occupants of the premises will be young children, consideration should be given to reducing the height of the operating element.

Where emergency exit devices are to be fitted to double doorsets with rebated meeting stiles and self closing devices, a door coordinator device in accordance with EN 1158 should be fitted to ensure the correct closing sequence of the doors. This recommendation is particularly important with regard to fire/smoke resisting door assemblies.

Any keepers or protection plates provided should be fitted in order to ensure compliance with this European Standard.

### Maintenance instructions



To ensure performance in accordance with this document, the following routine maintenance checks should be undertaken at intervals of not more than one month:

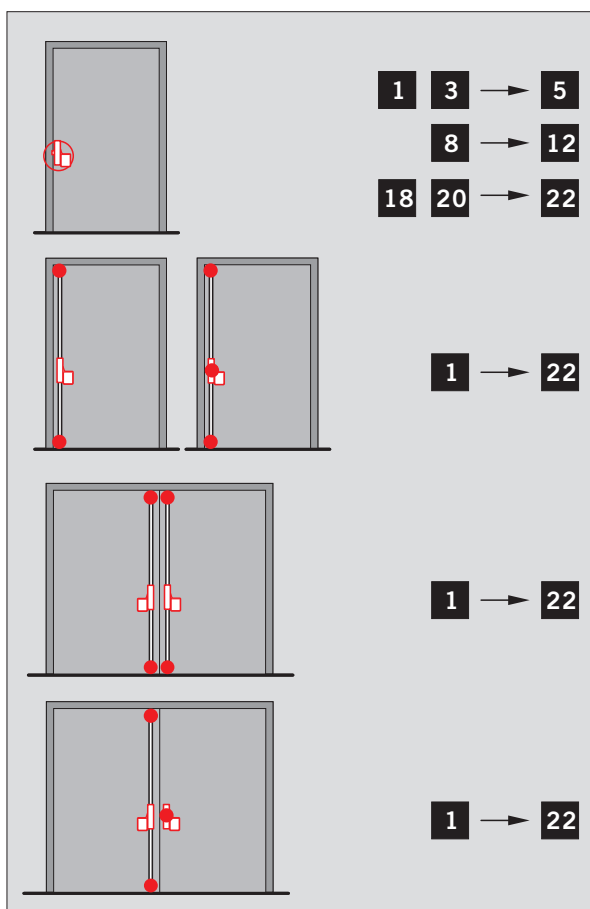
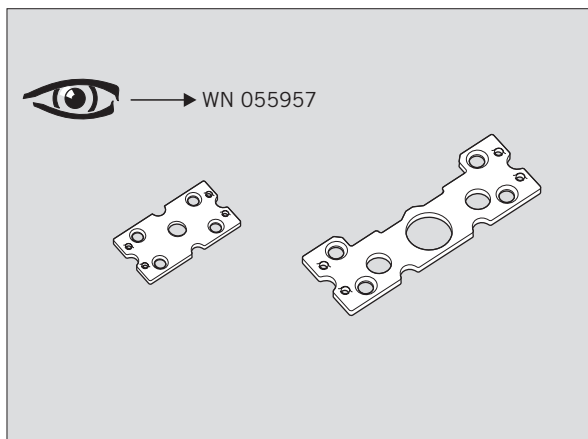
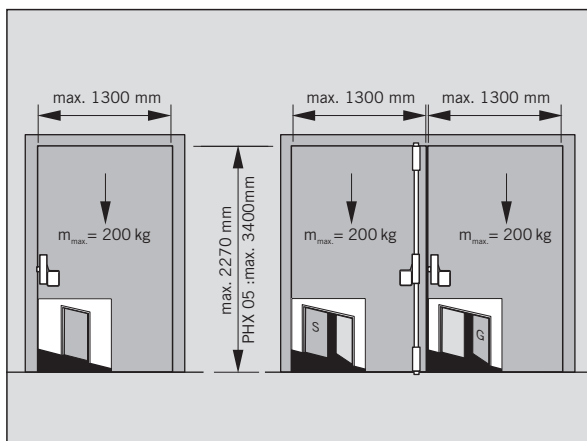
Inspect and operate the panic exit device to ensure that all components are in a satisfactory working condition; using a force gauge, measure and record the operating forces ( $\leq 80$  N) to release the exit device. Check that the operating forces have not changed significantly from the operating forces recorded when originally installed.

Ensure that the keeper(s) is (are) free from obstruction.

Lubricate all contact surfaces.

Check that no additional locking devices have been added to the door since its original installation.

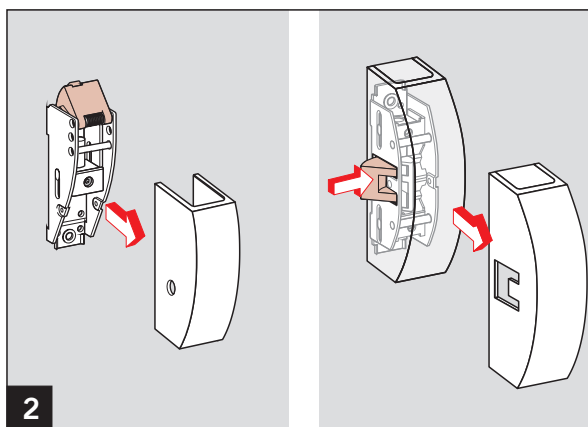
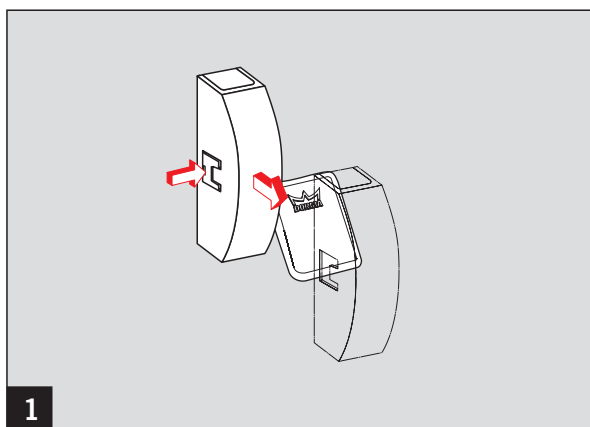
Check that the operating forces have not changed significantly from the operating forces recorded when originally installed.

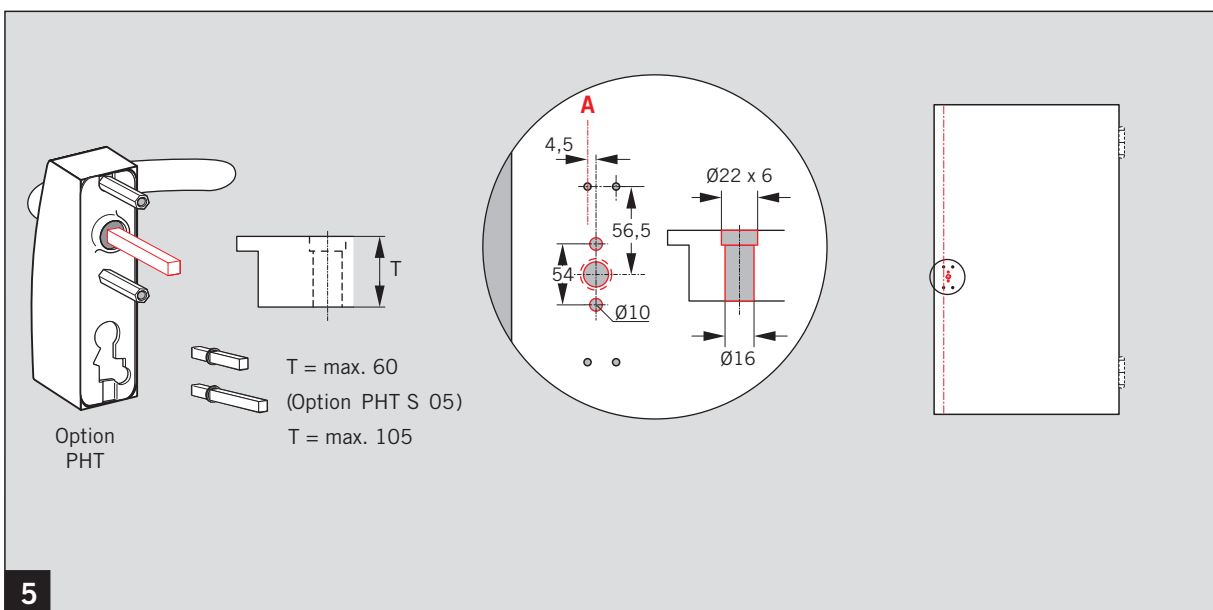
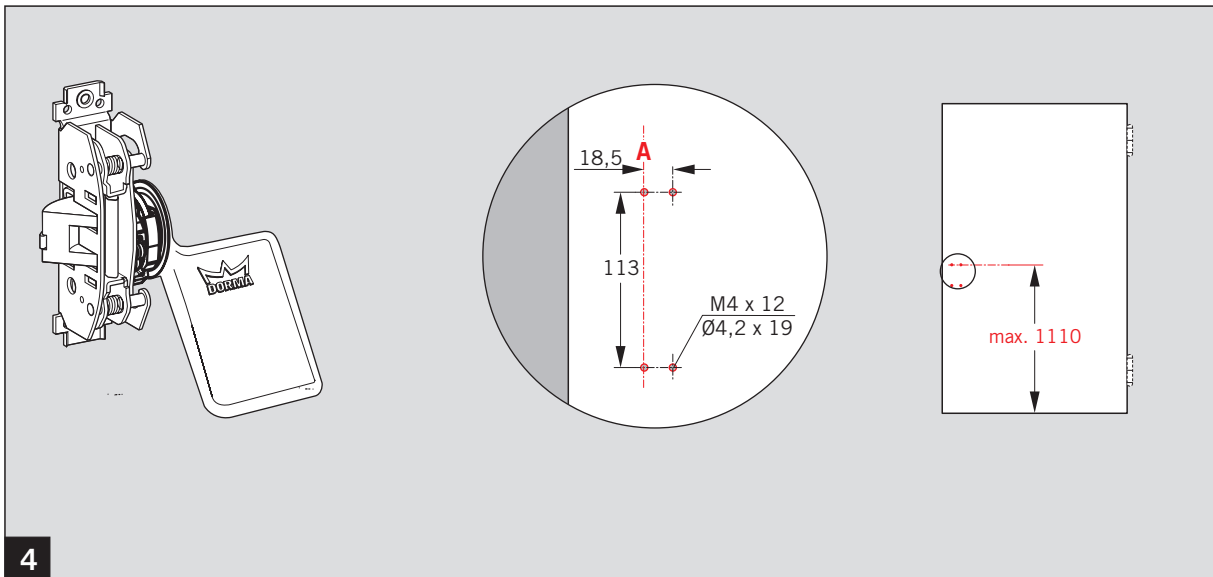
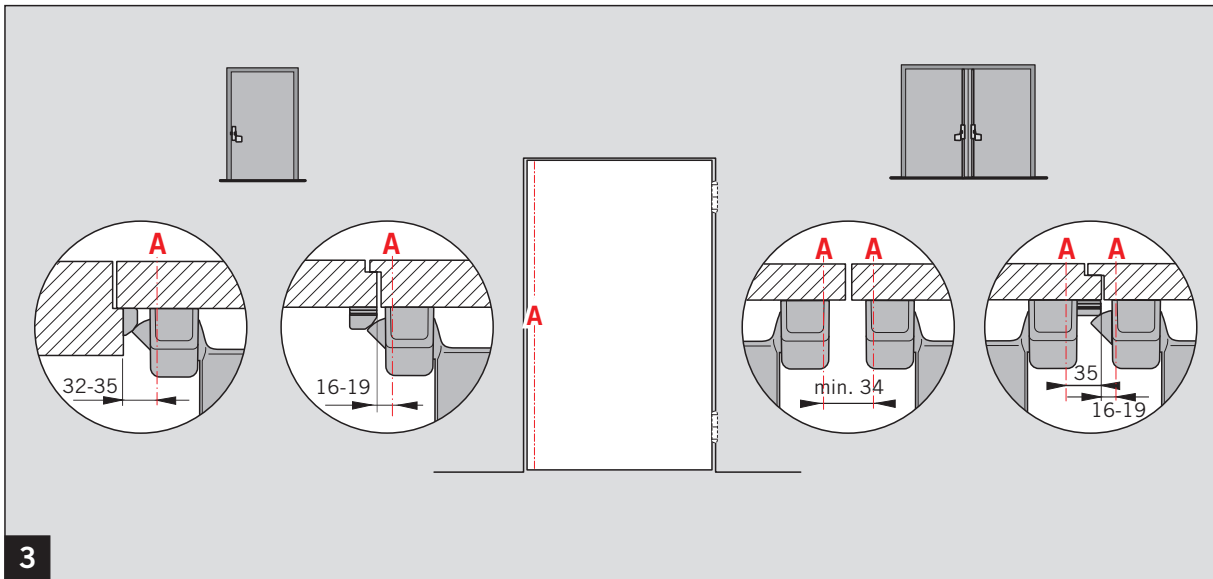


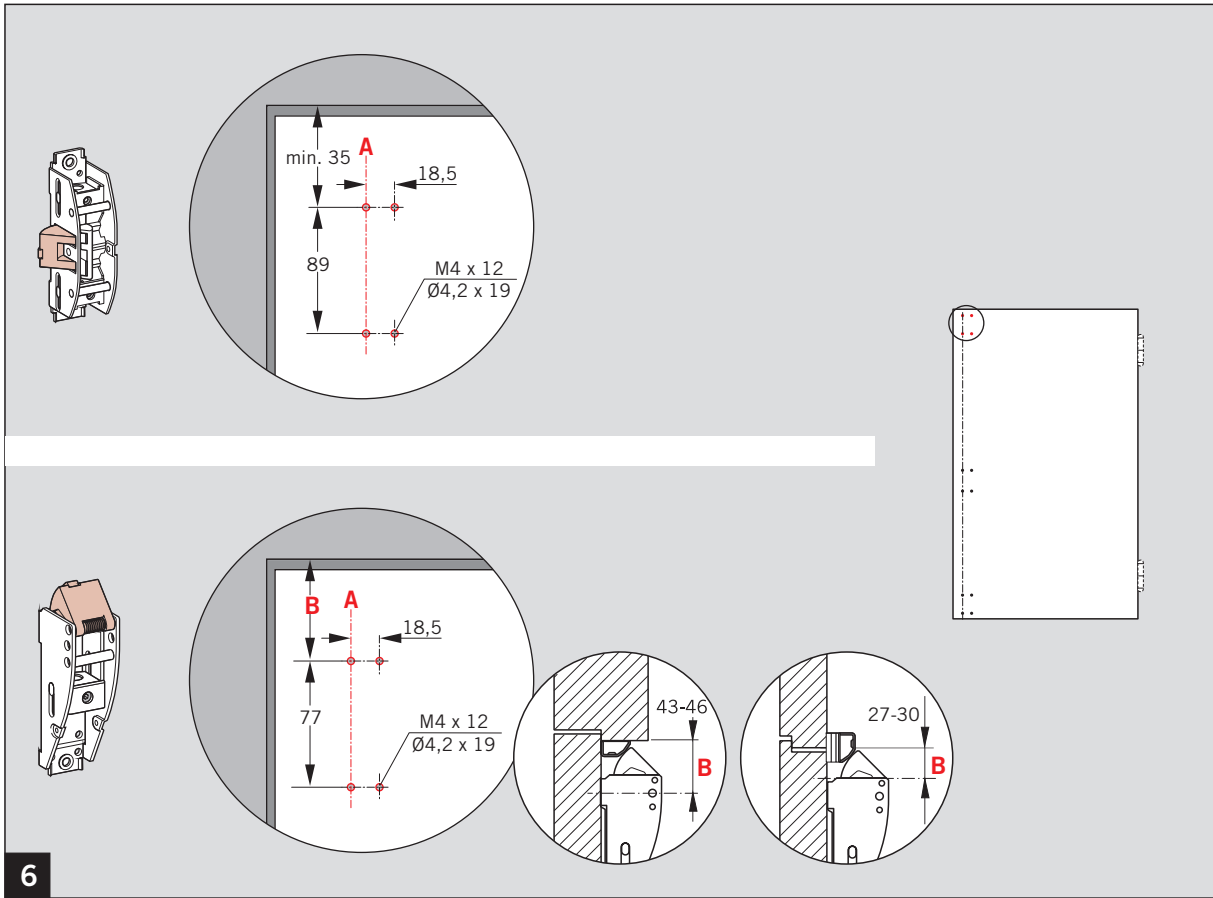
**!**

Der Notausgangsverschluss kann bei extremen Türsituationen mit einer Türbreite  $X < 1000 \text{ mm}$  in Verbindung mit dem Abstand des Bandes  $Y > 90 \text{ mm}$  evtl. nicht nach den Standardmaßen montiert werden. Einbauvorschläge stellt DORMA Ihnen auf Anfrage zur Verfügung.

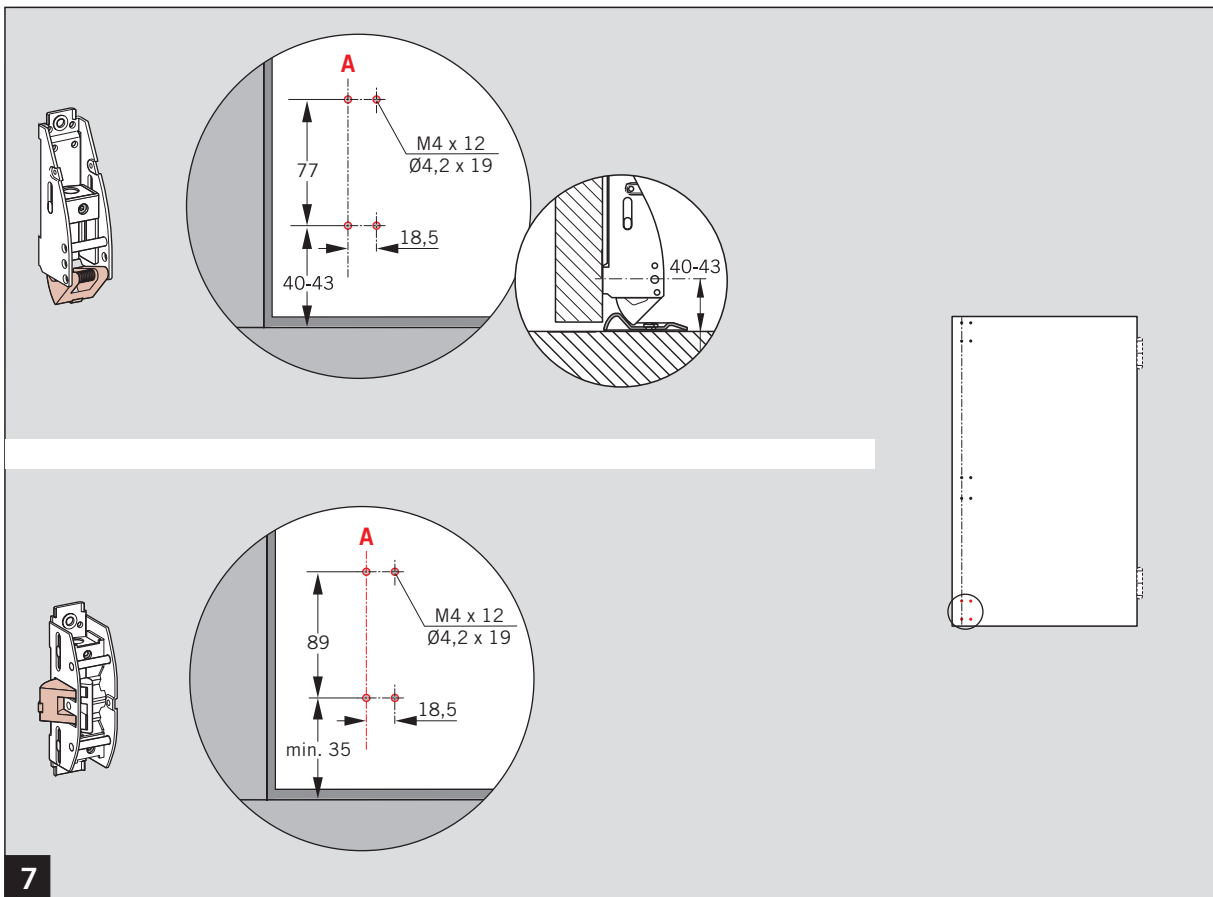
It may be the case that the emergency exit devices cannot be installed on extrem door situations according to standard measurements (door with  $X$  smaller than  $1000 \text{ mm}$  in connection with the distance of the hinge  $Y$  bigger than  $90 \text{ mm}$ ). On request DORMA will gladly give you installation suggestions.



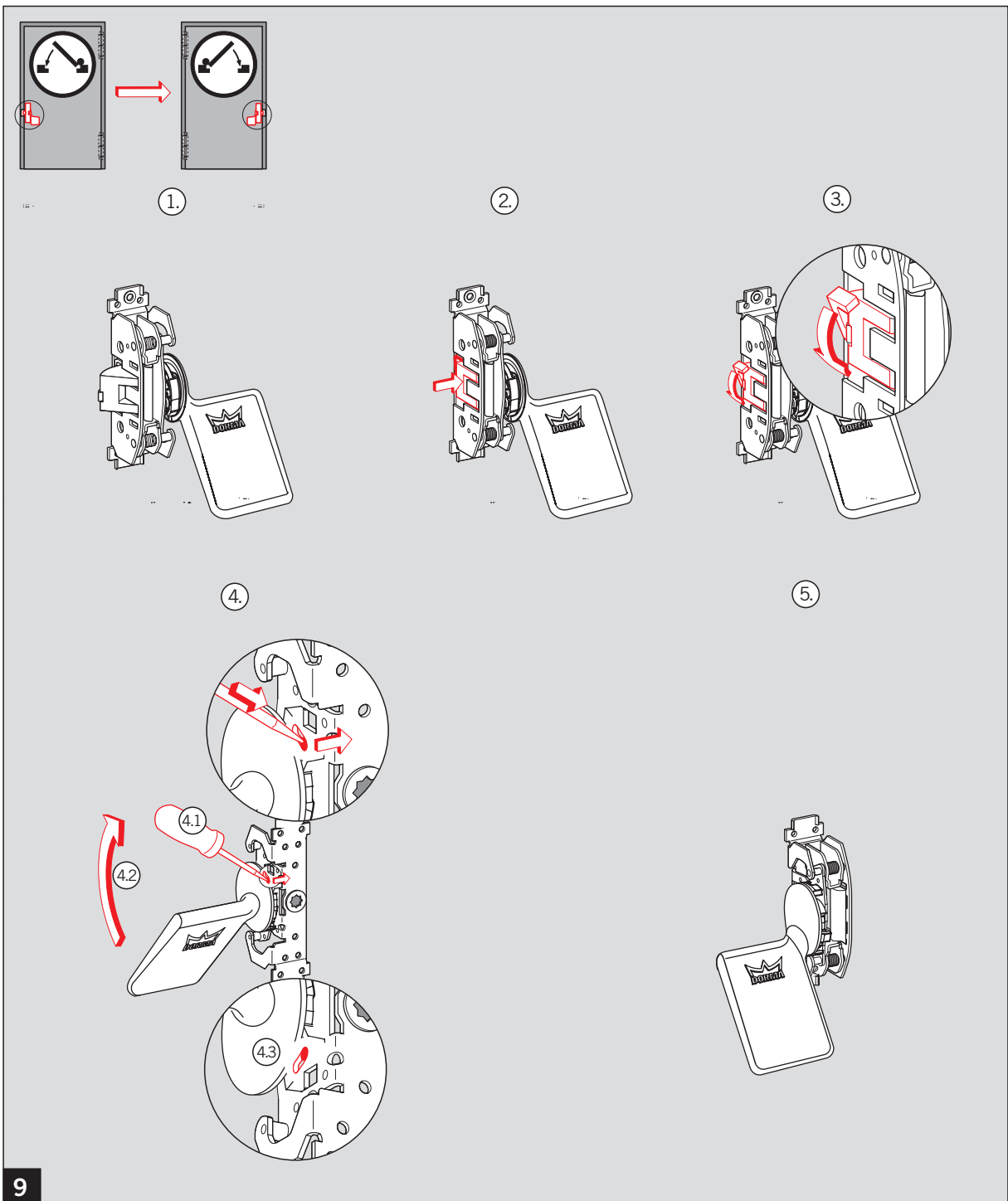
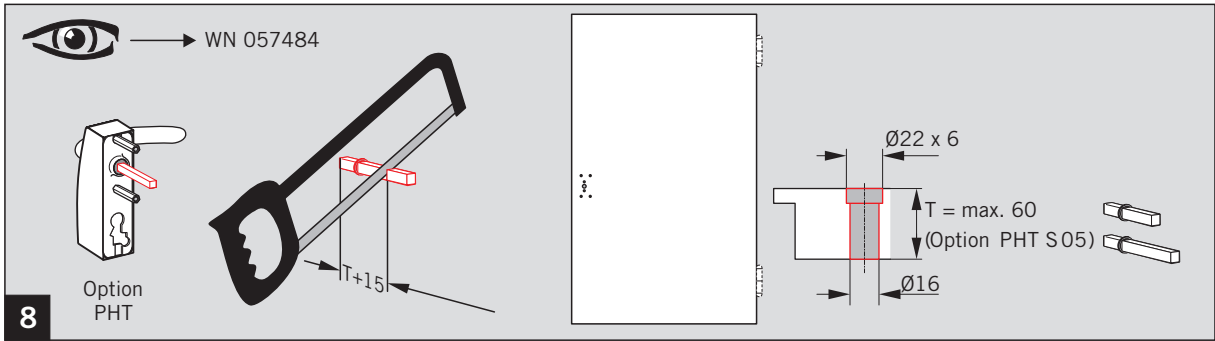


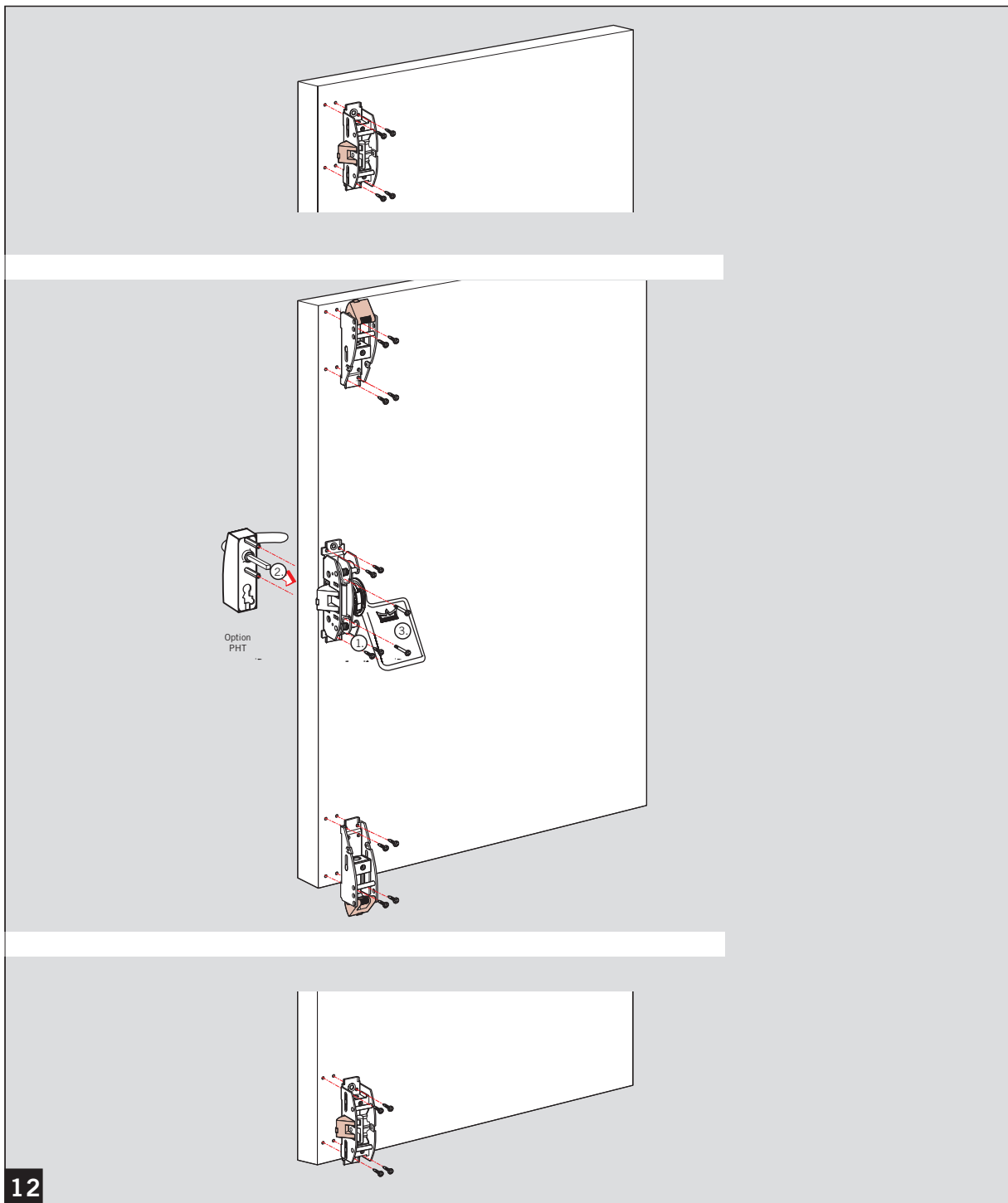
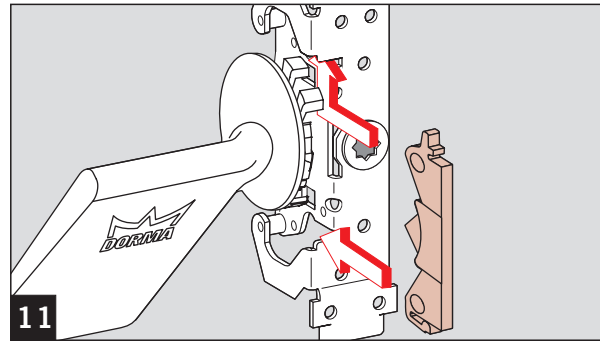
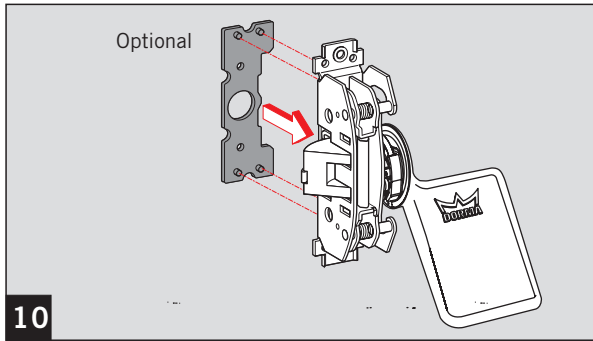


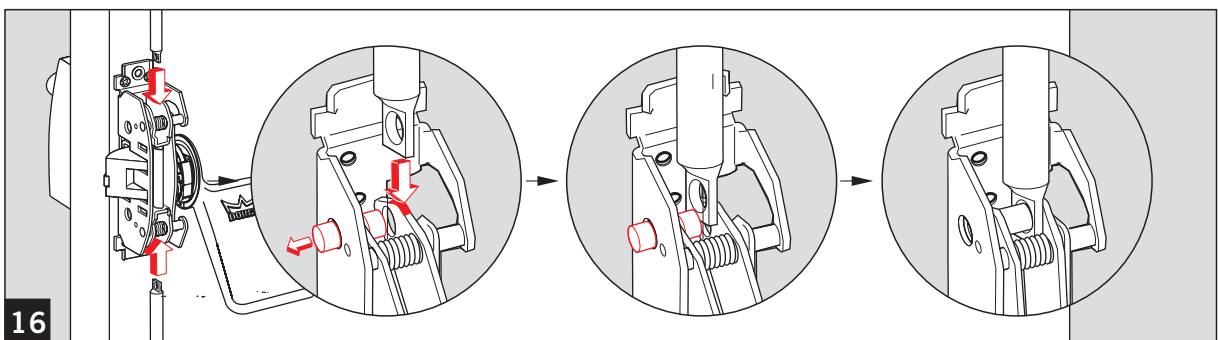
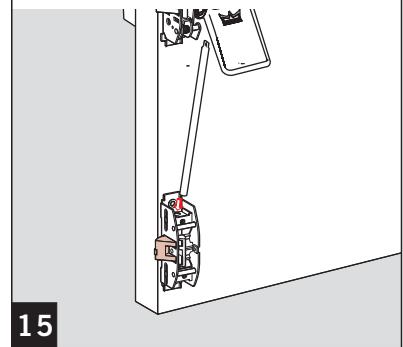
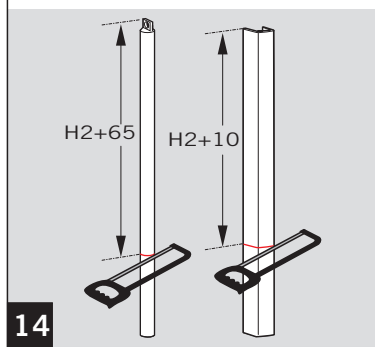
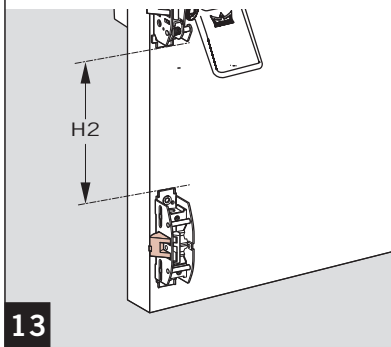
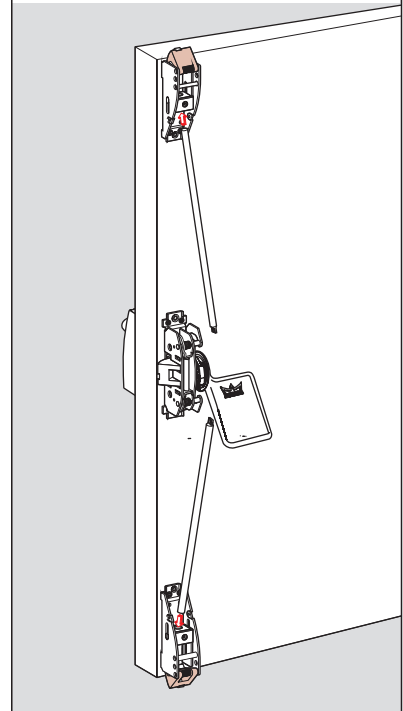
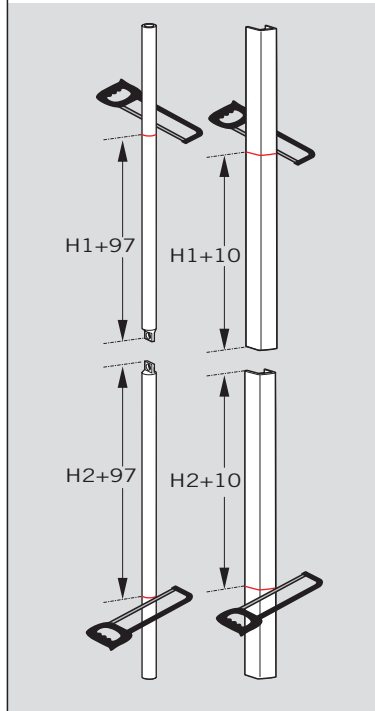
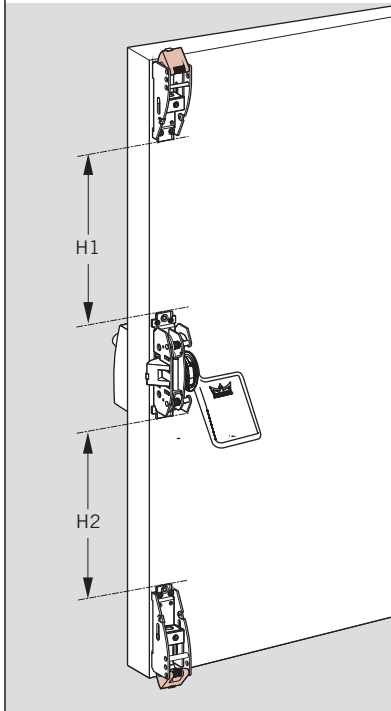
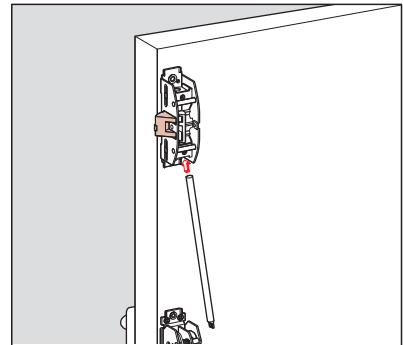
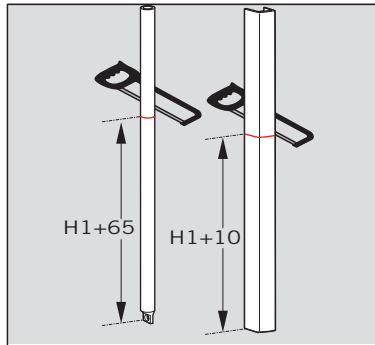
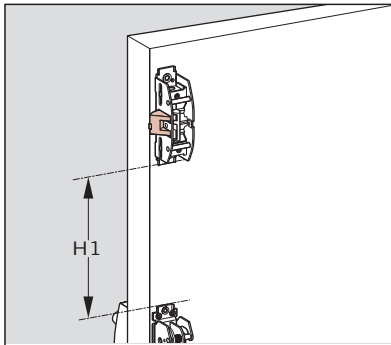
6



7

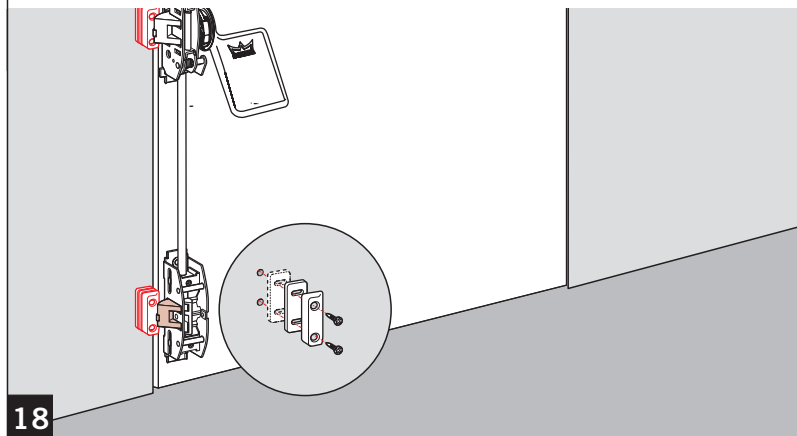
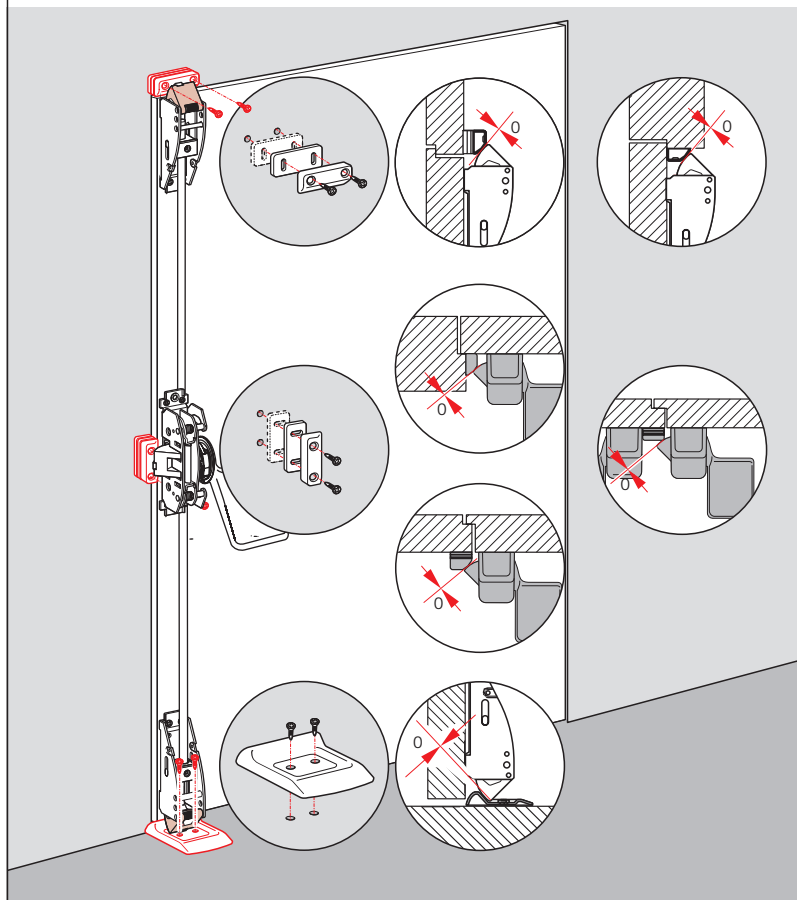
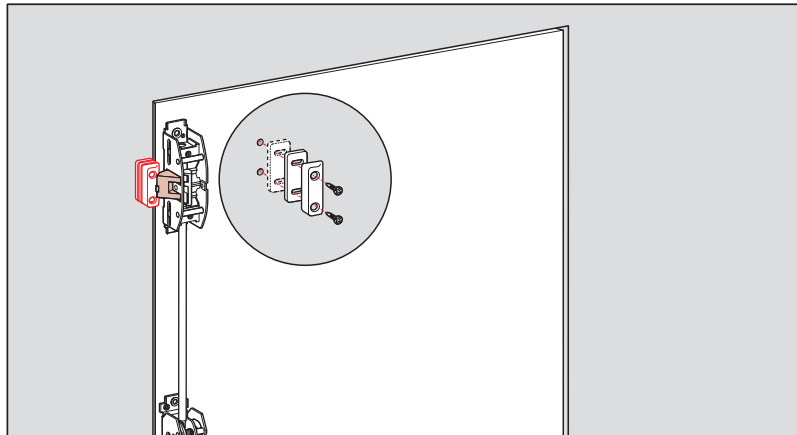
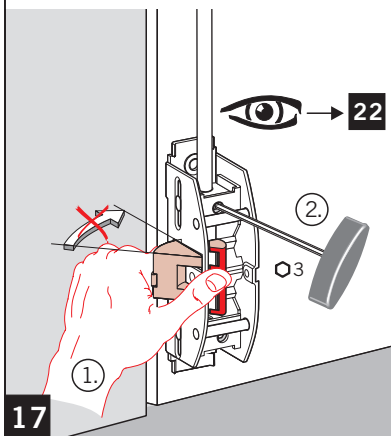
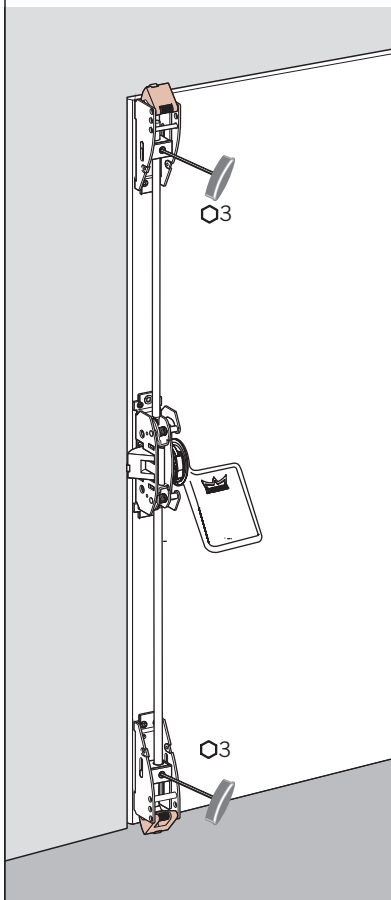
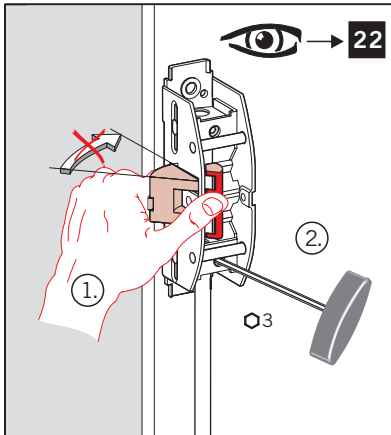


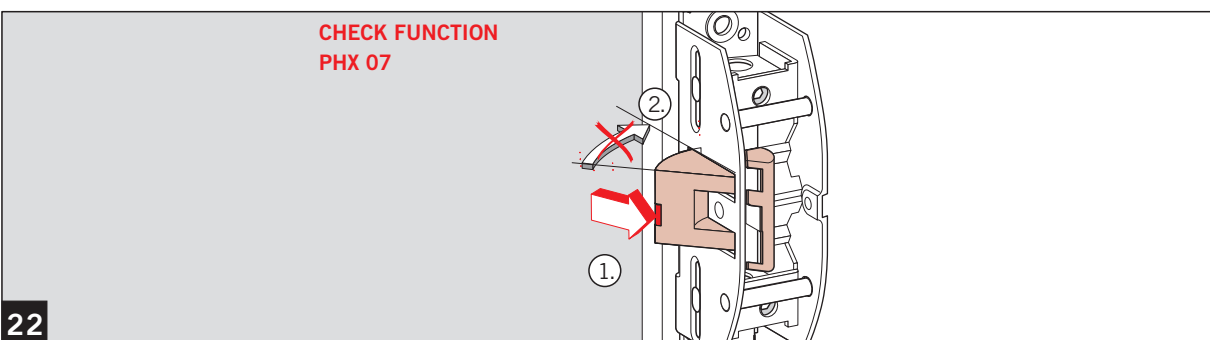
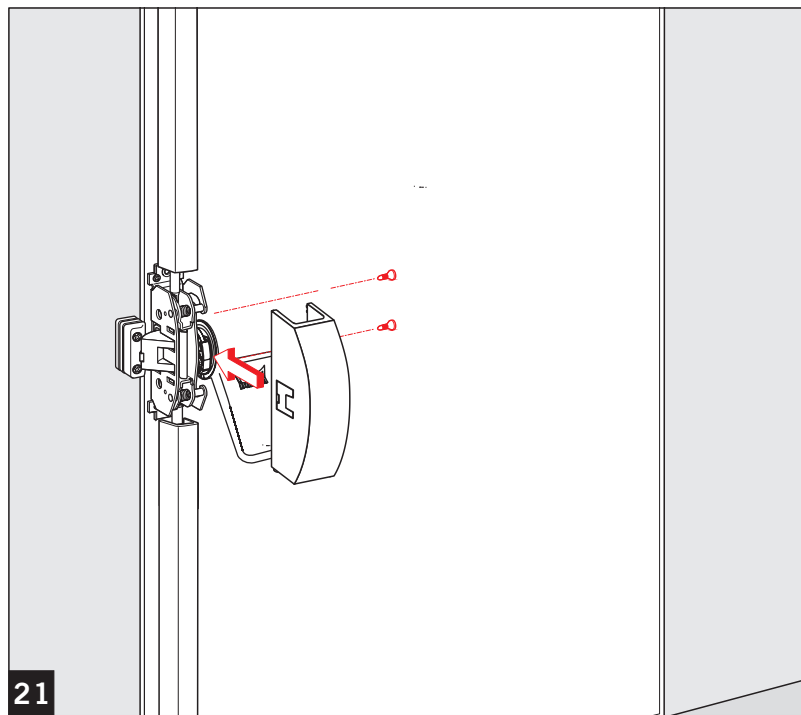
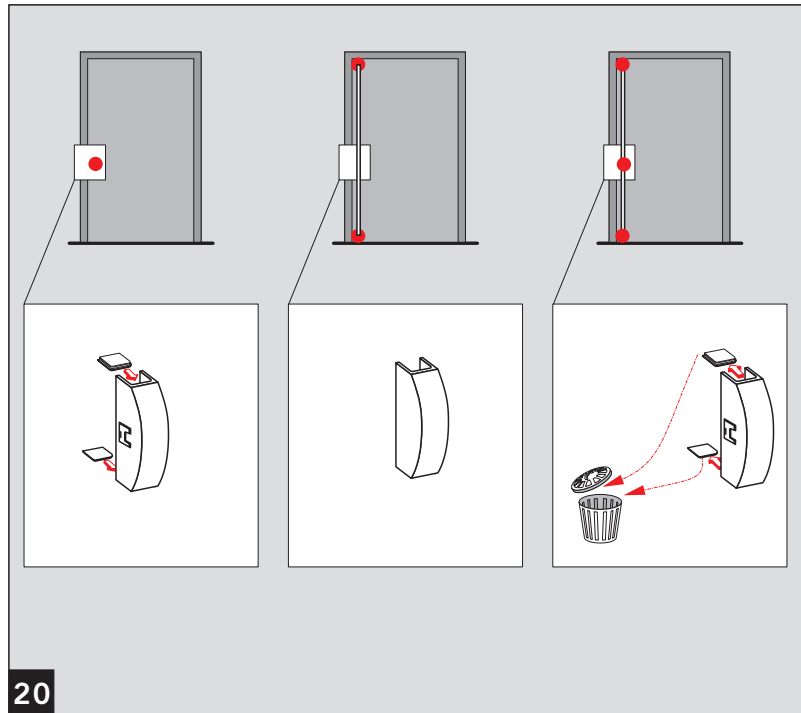
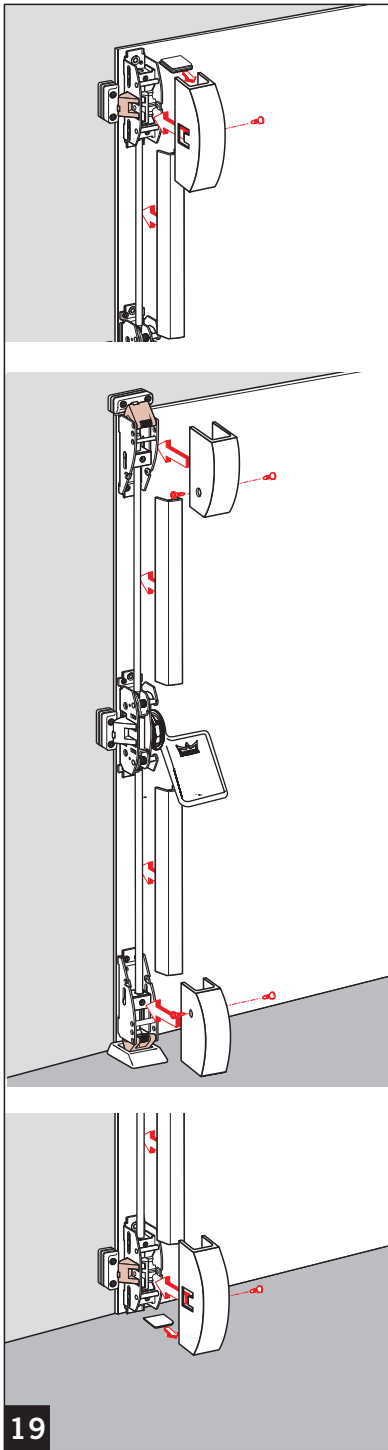




16







Änderungen vorbehalten  
Subject to change without notice